

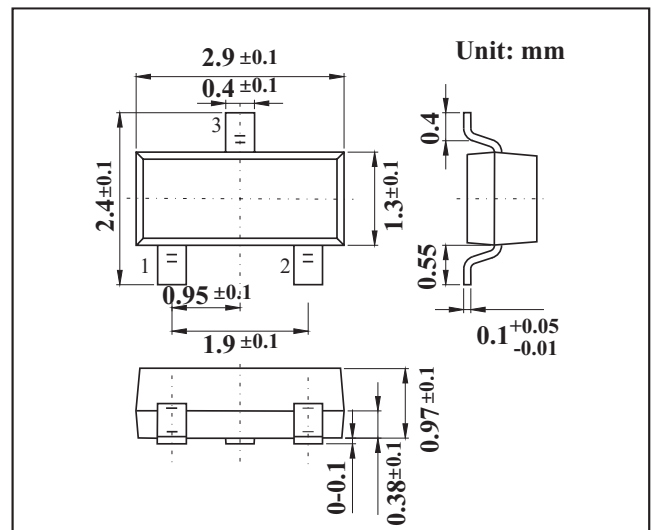
SOT-23 Small Signal Switching Diodes

Features

- Ultra small mold type
- High reliability.
- High speed switching

MECHANICAL DATA

- Case: SOT-23 Small Outline Plastic Package
- Polarity: Color band denotes cathode end
- Mounting Position: Any



MAXIMUM RATINGS AND CHARACTERISTICS

@ 25°C Ambient Temperature (unless otherwise noted)

Parameter	Symbol	Rating	Unit
Maximum Repetitive Reverse Voltage	V _{RRM}	75	V
Average Rectified Forward Current	I _{F(AV)}	200	mA
Non-repetitive Peak Forward Surge Current	I _{FSM}	1.0	A
Pulse Width = 1.0 second Pulse Width = 1.0 microsecond		2.0	A
Power Dissipation	P _D	350	mW
Thermal Resistance, Junction to Ambient	R _{θA}	357	°C/W
Storage Temperature Range	T _{stg}	- 5 5 t o + 1 5 0	°C
Operating Junction Temperature	T _J	- 5 5 t o + 1 5 0	°C

Electrical Specification (T_A=25°C unless otherwise specified)

Parameter	Symbol	Testconditons	Min	Typ	Max	Unit
Breakdown Voltage	V _R	I _R = 100 A _μ	75			V
Forward Voltage	V _F	I _F = 50 mA			1.0	V
		I _F = 100 mA			1.2	V
Reverse Current	I _R	V _R = 50 V			100	nA
Total Capacitance	C _T	V _R = 0, f = 1.0 MHz			4.0	pF
Reverse Recovery Time	t _{rr}	I _F = I _R = 10 mA, I _{RR} = 1.0 mA, R _L = 100 Ω			4.0	ns